

# High Capacity Telehandlers

TF45.11



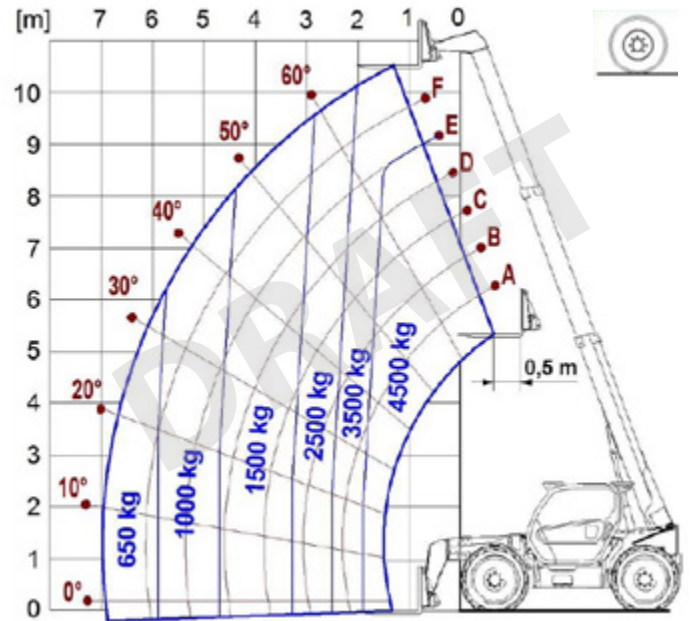


PERFORMANCE AND FEATURES	TF45.11T-170-HF	TF45.11TCS-170-HF	TF45.11TCS-170-CVT-HF
<b>Performance</b>			
Total unladen weight (kg)	10100	10300	10350
Maximum capacity (kg)	4500	4500	4500
Lifting height (m)	10,6	10,6	10,6
Maximum reach (m)	7	7	7
Maximum operating height (m)	9	9	9
Maximum operating reach (m)	1,9	1,9	1,9
Capacity at maximum height (kg)	3500	3500	3500
Capacity at maximum reach (kg)	650	650	650
Lateral boom movement (mm)	-	-	-
Tilting correction (%)	± 8	± 8	± 8
Boom sections	3	3	3
<b>PowerTrain</b>			
Turbo motor	FPT NEF45	FPT NEF45	FPT NEF45
Displacement/cylinders	4500/4	4500/4	4500/4
Engine Power (kW/HP)	125/170	125/170	125/170
Anti-pollution technology	STAGE V, SCR+DOC+DPF	STAGE V, SCR+DOC+DPF	STAGE V, SCR+DOC+DPF
Reversible fan	○	○	○
Maximum speed (km/h)	40	40	40
Fuel tank (l)	140	140	140
AdBlue tank (l)	18	18	18
Hydrostatic transmission	● - 2V	● - 2V	CVTronic
EPD	Plus	Plus	Plus
Auto-revving joystick	●	●	●
Axles - Reducers	Axial, Epicyclic	Axial, Epicyclic	Axial, Epicyclic
Machine brakes	Dry disc	Dry disc	Dry disc
Automatic parking brake	●	●	●
<b>Hydraulic</b>			
Hydraulic pump	HF*	HF*	HF*
Flow rate/pressure (l/min - bar)	160 - 250	160 - 250	160 - 250
Hydraulic tank	100	100	100
Hydraulic outlet at the top of the boom	●	●	●
Rear hydraulic outlets	○	○	○
<b>Cab</b>			
Cab configuration	Premium	Premium	Premium
ASCS Adaptive Stability Control System	Full	Full	Full
FOPS LIV II cab	●	●	●
ROPS cab	●	●	●
Cab commands	Electronic joystick	Electronic joystick	Electronic joystick
Tilting Cab	-	-	-
Reverse shuttle	Dual reverse	Dual reverse	Dual reverse
<b>Configuration</b>			
Cab suspension	-	●	●
Boom suspension	●	●	●
Suspension on axles	-	-	-
Work headlights on cab	●	●	●
Sun blind	●	●	●
Tac-lock	●	●	●
Provision for a platform	○	○	○
Two floating forks	●	●	●
Inching-Control	●	●	●
Four-wheel drive	●	●	●
Four-wheel steering	●	●	●
Three steering modes	●	●	●
Standard tyres	500/70R24	500/70R24	500/70R24
Optional tyres	440/80-R24; 600/55-26.5; 500/70-R24, 17.5-25	440/80-R24; 600/55-26.5; 500/70-R24, 17.5-25	440/80-R24; 600/55-26.5; 500/70-R24, 17.5-25
Stabilisers	-	-	-
Turret rotation	-	-	-
Type approval as an agricultural tractor	○	○	○
Approval with PNEUMATIC braking	○	○	○
Approval with HYDRAULIC braking	○	○	○
PTO	-	-	-
3-point linkage	-	-	-

\*LS + FS + oversized distributor

- Not Available  
● Standard  
○ Optional

## Load charts

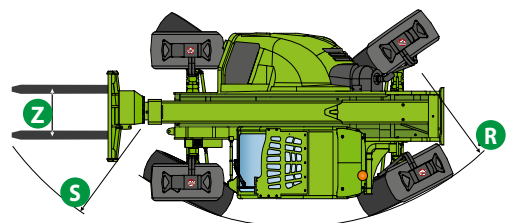
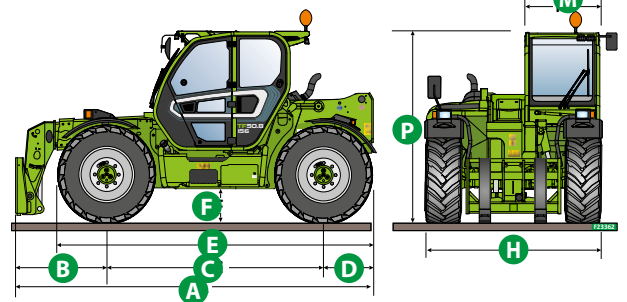


TF45.11

## Dimensions



	TF45.11		
A (mm)	5040		
B (mm)	1340		
C (mm)	3050		
D (mm)	650		
E (mm)	4360		
F (mm)	440		
H (mm)	2400		
M (mm)	1010		
P (mm)	2530		
R (mm)	3830		
S (mm)	4800		
Z (mm)	850		



**Your Merlo dealer**



**MERLO S.P.A.**

Via Nazionale, 9

12010 S. Defendente di Cervasca, (Cuneo) Italia

Tel. +39 0171 614111

Fax +39 0171 684101

[info@merlo.com](mailto:info@merlo.com)

[www.merlo.com](http://www.merlo.com)

