

# EDiA EX

Electric Counterbalance • 4 Wheel Pneumatic Tyre  
80 Volt • **2.5-3.5 tonnes**

**FB25N**  
**FB25CN**  
**FB30N**  
**FB30CN**  
**FB35N**

## Control drives confidence... confidence drives work.

Everything about EDiA EX inspires confidence. Rugged Mitsubishi build quality, simple, effective design... and the kind of smooth, instinctive control that gets the job done right first time, every time. Impressive residual lift capacities means EDiA EX packs the punch you need to lift larger loads to heights of 7 metres – while dual drive motors and +100° rear axle steering give the agility to deliver that big-truck performance in the tightest space.

It can do it safely, too. From the one-spoke steering wheel to the cleverly angled counterweight, every aspect maximises the driver's all-round view of the job in hand. No expensive gimmicks, just great truck design. What's more, IPX4 waterproofing and sealed wet disc brakes mean this truck can work anywhere, from hygienic, zero-emission environments – with integral brakes eliminating brake dust – to loading outside in the rain. But the best thing about EDiA EX is the drive. From the moment you slide behind the wheel, everything just feels right. Drivers instantly feel at home – and perform at their best from day one.



### Operator compartment and controls

- **Brand new F2 button** simple thumb control integrates twice as many key controls – without taking your eyes off the load. Options include clamp release and automatic tilt centering.
- **Optimised pedal position** ergonomically-chosen position, shape and angle for each pedal feel familiar to use and are easy on the ankles, even in prolonged shifts.
- **Clear, informative display** in full colour, is easy to read from all angles and in direct sunlight. Perfectly positioned for at-a-glance reference to operator guidance, without reducing all-round visibility.
- **ErgoCentric adjustable armrest** allows a natural hand position, with easy one-hand adjustment, minimising injury and fatigue.
- **Fully adjustable driving position** create the perfect seat, arm and steering wheel position for each operator's unique needs.
- **Plenty of storage space** for on-board essentials, putting clip board, mobile phone, drinks bottle and pen all easily to hand.
- **Wide, open cabin** enables quick, ergonomic access and a range of comfortable driving positions.
- **Ergonomic panels and covers** encourage smooth, easy cabin entry.
- **Extra-large entry step** for safe, no-slip entry and exit – whatever the footwear.
- **Flat, uncluttered floor** exceptionally spacious foot well area means more comfort, and no distractions.
- **Elongated grab bar** helps drivers of all heights.

# Electric Counterbalance

## 80 Volt • 2.5 – 3.5 tonnes

<b>Characteristics</b>						
1.1	Manufacturer (abbreviation)			Mitsubishi	Mitsubishi	Mitsubishi
1.2	Manufacturer's model designation			FB25N	FB25CN	FB30N
1.3	Power source: (battery, diesel, LP gas, petrol)			Electric	Electric	Electric
1.4	Operator type: pedestrian, (operator)-standing, -seated			Seated	Seated	Seated
1.5	Load capacity	Q	(kg)	2500	2500	3000
1.6	Load centre distance	c	(mm)	500	500	500
1.8	Load distance, axle to fork face	x	(mm)	476	476	504
1.9	Wheelbase	y	(mm)	1730	1585	1730
<b>Weight</b>						
2.1	Truck weight, without load / including battery (simplex mast, lowest lift height)		kg	4700	4621	5152
2.2	Axle loading with maximum load, front/rear (simplex mast, lowest lift height)		kg	6336 / 864	6332 / 789	7313 / 839
2.3	Axle loading without load, front/rear (simplex mast, lowest lift height)		kg	2424 / 2275	2292 / 2329	2571 / 2581
<b>Wheels, Drive Train</b>						
3.1	Tyres: V= Solid, L= pneumatic, SE= solid pneumatic - front/rear			SE	SE	SE
3.2	Tyre dimensions, front	pcm/	(mm)	23 × 9 - 10	23 × 9 - 10	23 × 10 - 12
3.3	Tyre dimensions, rear			18 × 7 - 8	18 × 7 - 8	18 × 7 - 8
3.5	Number of wheels, front/rear (x=driven)			2 x / 2	2 x / 2	2 x / 2
3.6	Track width (centre of tyres), front	b10	(mm)	985	985	950
3.7	Track width (centre of tyres), rear	b11	(mm)	970	970	970
<b>Dimensions</b>						
4.1	Mast tilt, forwards/backwards	α/β	°	6 / 8	6 / 8	6 / 8
4.2	Height with mast lowered (see tables)	h1	(mm)	2145	2145	2165
4.3	Free lift (see tables)	h2	(mm)	100	100	100
4.4	Lift height (see tables)	h3	(mm)	3300	3300	3270
4.5	Overall height with mast raised	h4	(mm)	4355	4355	4325
4.7	Height to top of overhead guard	h6	(mm)	2240	2240	2240
4.8*	Seat height	h7	(mm)	1130	1130	1130
4.12	Tow coupling height (higher/lower)	h10	(mm)	395	395	395
4.19	Overall length	l1	(mm)	3600	3459	3628
4.20	Length to fork face (includes fork thickness) *	l2	(mm)	2530	2389	2558
4.21	Overall width	b1/b2	(mm)	1190	1190	1190
4.22	Fork dimensions (thickness, width, length)	s / e / l	(mm)	40×100×1070	40×100×1070	45×120×1070
4.23	Fork carriage to DIN 15 173, A/B/no			2A	2A	3A
4.24	Fork carriage width	b3	(mm)	1000	1000	1000
4.31	Ground clearance under mast, with load	m1	(mm)	105	105	115
4.32	Ground clearance at centre of wheelbase, with load (forks lowered)	m2	(mm)	122	122	122
4.33	Working aisle width with 1000 x1200 mm pallets, crosswise	Ast	(mm)	3805	3660	3830
4.34a	Working aisle width with 800 x1200 mm pallets, lengthwise	Ast	(mm)	3960	3815	3985
4.35	Turning circle radius	Wa	(mm)	2064	1920	2064
4.36	Minimum distance between centres of rotation	b13	(mm)	160	160	160
<b>Performance</b>						
5.1	Travel speed, with/without load		km/h	20 / 20	20 / 20	20 / 20
5.2	Lifting speed, with/without load		m/s	0.5 / 0.65	0.5 / 0.65	0.45 / 0.6
5.3	Lowering speed, with/without load		m/s	0.55 / 0.5	0.55 / 0.5	0.5 / 0.45
5.5	Rated drawbar pull, with/without load		N	9300 / 9700	9300 / 9700	9100 / 9550
5.6	Maximum drawbar pull, with/without load (5 min short duty)		N	15800 / 16200	15800 / 16200	15550 / 16050
5.7	Gradeability, with/without load		%	15 / 25	15 / 25	13 / 22
5.8	Maximum gradeability, with/without load		%	23 / 38	23 / 38	20 / 34
5.9	Acceleration time (10 metres) with/without load		s	4.2 / 3.9	4.2 / 3.9	4.3 / 3.9
5.10	Service brakes (mechanical/hydraulic/electric/pneumatic)			Hydraulic	Hydraulic	Hydraulic
<b>Electric Motors</b>						
6.1	Drive motor capacity (60 min. short duty)		kW	2 × 8	2 × 8	2 × 8
6.2	Lift motor output at 15% duty factor		kW	20.8	20.8	25.5
6.3	Battery to DIN 43531/35/36 A/B/C/no			43536A	43536A	43536A
6.4	Battery voltage/capacity at 5-hour discharge		V/Ah	80 / 700-775	80 / 560-620	80 / 700-775
6.5	Battery weight		kg	1863	1558	1863
<b>Miscellaneous</b>						
8.1	Type of drive control			AC	AC	AC
8.2	Maximum operating pressure for attachments		bar	185	185	185
8.3	Oil flow for attachments		l/min	30	30	30
8.4	Noise level, value at operator's ear (EN 12053)		dB(A)	65	65	66
8.5	Towing coupling design / DIN type, ref.			DIN 15170-H	DIN 15170-H	DIN 15170-H

\*h7 values recorded with MSG65 seat type.

\*\* Separate option for pressure relief valve when lower pressure needed.

Continuing improvement may lead to changes in these specifications.

	Mitsubishi	Mitsubishi
	FB30CN	FB35N
	Electric	Electric
	Seated	Seated
	3000	3500
	500	500
	504	504
	1585	1730
	5234	5591
	7355 / 878	8186 / 904
	2454 / 2780	2654 / 2937
	SE	SE
	23 × 10 - 12	23 × 10 - 12
	18 × 7 - 8	18 × 7 - 8
	2 x / 2	2 x / 2
	950	950
	970	970
	6 / 8	6 / 8
	2165	2291
	100	100
	3270	3300
	4325	4345
	2240	2240
	1130	1130
	395	395
	3487	3628
	2417	2558
	1190	1190
	45×120×1070	45×120×1070
	3A	3A
	1000	1000
	115	115
	122	122
	3690	3830
	3840	3985
	1920	2064
	160	160
	20 / 20	18 / 18
	0.45 / 0.6	0.45 / 0.6
	0.5 / 0.45	0.5 / 0.45
	9100 / 9550	8950 / 9500
	15550 / 16050	15400 / 16000
	13 / 22	12 / 20
	20 / 33	18 / 31
	4.3 / 3.9	4.4 / 3.9
	Hydraulic	Hydraulic
	2 × 8	2 × 8
	25.5	25.5
	43536A	43536A
	80 / 560-620	80 / 700-775
	1558	1863
	AC	AC
	185	205**
	30	30
	66	66
	DIN 15170-H	DIN 15170-H

## EDIA EX

### THE ELECTRIC DIAMOND

Sleek. Flawless. Unbeatably tough. EDIA delivers legendary Mitsubishi performance and reliability in a clean, compact, versatile space. Always a great investment.



Clear, informative display



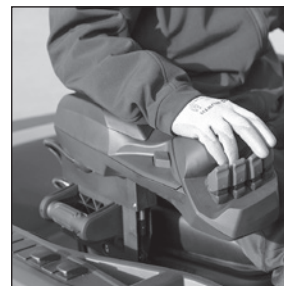
Rear axle steers +100°



Unparalleled 360° visibility



High visibility mast and forks



Ergonomic armrest controls



Automatic parking brake with hill hold



Easy on-off access



Spacious footwell area

## Mast Performance and Capacity

FB25N/FB25CN						FB25N	FB25CN
Mast Type	h3 mm	h1 mm	h4 mm	h2/h5* mm	tilt angle (fwd-rev)	Q @ c=500mm kg	Q @ c=500mm kg
Simplex	3000	1995	4055	100	6°/8°	2500	2500
	3300	2145	4355	100	6°/8°	2500	2500
	3740	2410	4795	100	6°/8°	2500	2500
	4100	2590	5155	100	6°/8°	2500	2500
	4500	2800	5555	100	6°/8°	2500	2500
	5000	3050	6055	100	6°/8°	2500	2450
	5500	3300	6555	100	6°/4°	2500	2400
Duplex	3000	1995	4055	940	6°/8°	2500	2500
	3300	2145	4355	1090	6°/8°	2500	2500
	3700	2410	4755	1355	6°/8°	2500	2500
	4020	2590	5075	1535	6°/8°	2500	2500
Triplex	3730	1805	4785	750	6°/6°	2500	2500
	4030	1905	5085	850	6°/6°	2500	2500
	4300	1995	5355	940	6°/6°	2500	2500
	4750	2145	5805	1090	6°/6°	2500	2500
	5060	2265	6115	1210	6°/6°	2500	2450
	5500	2410	6555	1355	6°/6°	2500	2350
	5990	2590	7045	1535	6°/4°	2400	2300
	6500	2850	7555	1795	6°/4°	1950	2100
	7000	3050	8055	1995	6°/4°	1500	1600

- h1 = Lowered mast height  
h2 = Free lift  
h3 = Lift height  
h4 = Raised mast height  
Q = Lifting capacity, rated load  
c = Load centre (distance)

\* h5 including load backrest (without load backrest increase with 305 mm duplex or 465 mm triplex)

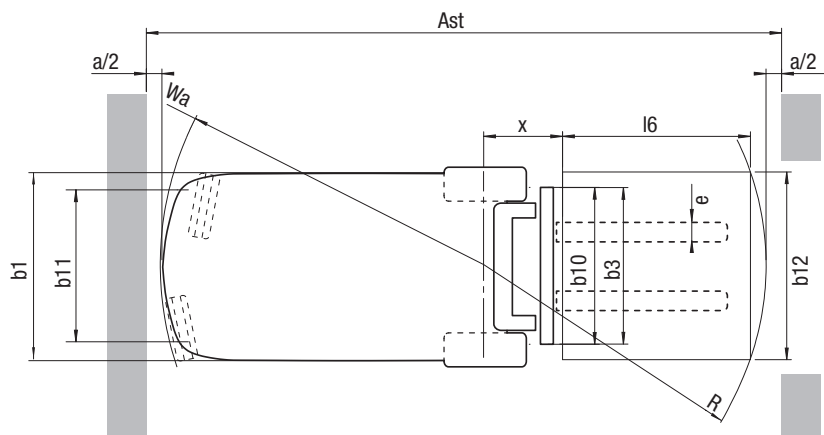
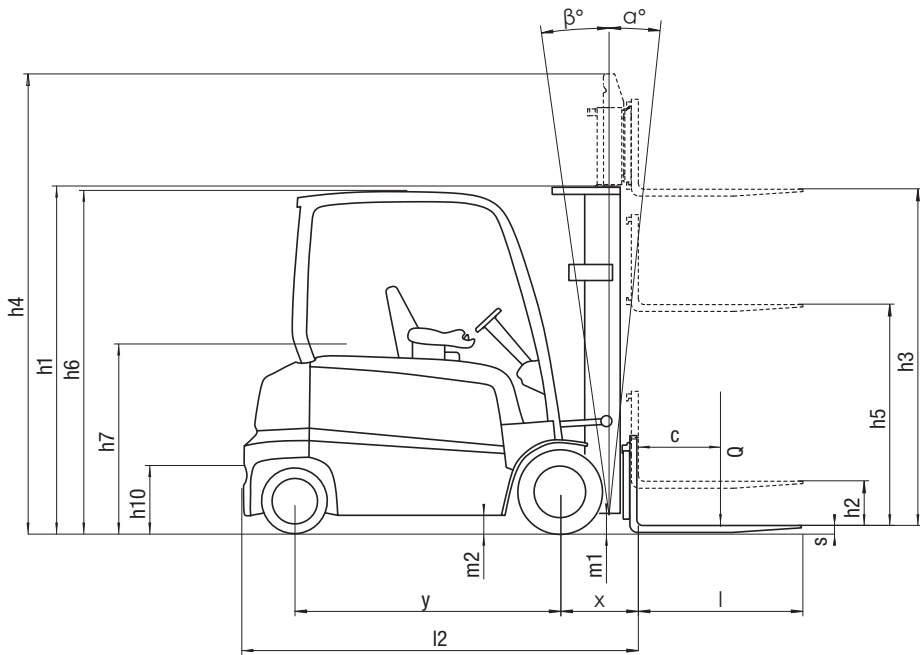
FB30N/FB30CN						FB30N	FB30CN
Mast Type	h3 mm	h1 mm	h4 mm	h2/h5* mm	tilt angle (fwd-rev)	Q @ c=500mm kg	Q @ c=500mm kg
Simplex	3030	2045	4085	100	6°/8°	3000	3000
	3270	2165	4325	100	6°/8°	3000	3000
	3700	2430	4755	100	6°/8°	3000	3000
	4000	2610	5055	100	6°/8°	3000	3000
	4500	2870	5555	100	6°/8°	3000	3000
	5000	3120	6055	100	6°/8°	3000	2900
	5500	3370	6555	100	6°/4°	2900	2800
	6000	3635	7055	100	6°/4°	2650	2700
	Duplex	3000	2035	4055	980	6°/8°	3000
3250		2165	4305	1110	6°/8°	3000	3000
3700		2430	4755	1375	6°/8°	3000	3000
4010		2610	5065	1555	6°/8°	3000	3000
Triplex	3690	1825	4745	770	6°/6°	3000	3000
	3990	1925	5045	870	6°/6°	3000	3000
	4320	2045	5375	990	6°/6°	3000	3000
	4700	2165	5755	1110	6°/6°	3000	2950
	5060	2285	6115	1230	6°/6°	3000	2850
	5450	2430	6505	1375	6°/6°	2900	2800
	5970	2610	7025	1555	6°/4°	2750	2650
	6470	2870	7525	1815	6°/4°	2100	2000
	7000	3070	8055	2015	6°/4°	1600	1450

FB35N						
Mast Type	h3 mm	h1 mm	h4 mm	h2/h5* mm	tilt angle (fwd-rev)	Q @ c=500mm kg
Simplex	3000	2170	4045	100	6°/8°	3500
	3300	2290	4345	100	6°/8°	3500
	3720	2500	4765	100	6°/8°	3500
	4000	2755	5045	100	6°/8°	3500
	4500	3000	5545	100	6°/8°	3500
	5000	3250	6045	100	6°/8°	3500
	5500	3500	6545	100	6°/4°	3400
	6000	3750	7045	100	6°/4°	2800
	Duplex	3010	2170	4055	1125	6°/8°
3300		2290	4345	1245	6°/8°	3500
3720		2615	4765	1570	6°/8°	3500
4000		2755	5045	1710	6°/8°	3500
Triplex	3730	1930	4775	885	6°/6°	3500
	4010	2050	5055	1005	6°/6°	3500
	4390	2170	5435	1125	6°/6°	3500
	4700	2290	5745	1245	6°/6°	3500
	5030	2435	6075	1390	6°/6°	3450
	5580	2615	6625	1570	6°/6°	3100
	6000	2755	7045	1710	6°/4°	2900
	6510	2930	7555	1885	6°/4°	2250
	7000	3125	8045	2080	6°/4°	1700

## Battery Dimensions

		FB25N	FB25CN	FB30N	FB30CN	FB35N
Battery Voltage	V	80	80	80	80	80
Capacity at 5-hour discharge	Ah	700-775	560-620	700-775	560-620	700-775
Battery weight	kg	1863	1558	1863	1558	1863
<b>Battery box dimensions</b>						
Length	mm	1028	1028	1028	1028	1028
Width	mm	855	711	855	711	855
Height	mm	784	784	784	784	784
<b>Battery compartment size</b>						
Length	mm	1056	1056	1056	1056	1056
Width	mm	865	720	865	720	865
Height*	mm	790	790	790	790	790

\* 5mm tolerance

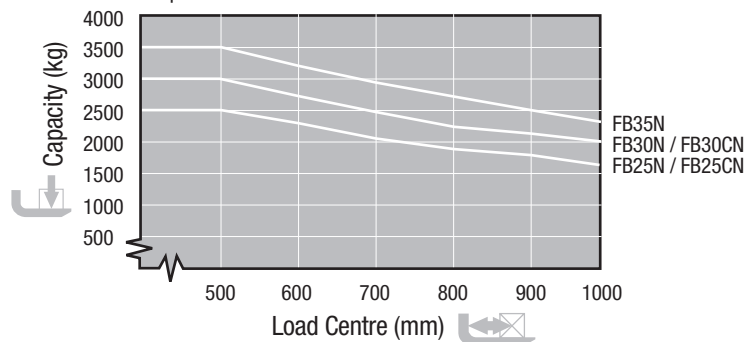


- h1 = Height with mast lowered
- h2 = Standard free lift
- h3 = Lift height
- h4 = Height with mast raised
- h5 = Full free lift
- Q = Lifting capacity, rated load
- c = Load centre (distance)

- Ast = Working aisle width with load
- Ast =  $Wa + R + a$
- Wa = Turning radius
- $R = \sqrt{(l6 + x)^2 + (b12 / 2 - b13)^2}$
- a = Safety clearance =  $2 \times 100$  mm
- l6 = Pallet length
- b12 = Pallet width

### FB25-35N / FB25-30CN Models Capacities at various load centres

Simplex - h3 = 3300mm





Curve control for maximum stability



Works in any condition



Tight space agility

## Driving and load handling

- **Sensitive Drive System (SDS)** smooths start and stop movements, increases agility and adapts to the speed of operators' foot movements.
- **Intelligent curve control** senses the angle of a turn, and reduces speed earlier in the manoeuvre for maximum stability and accurate, positive cornering.
- **Touch-sensitive fingertip controls** natural feeling, spring-loaded response: press gently for finer control.

## Steering

- **Tight space agility rear axle** steers through a full 100°, with dual drive motors for instant, smooth turning on the spot and no initial "push".
- **Perfectly weighted steering** and optimal steering wheel size with a light but firm feel gives confidence and manoeuvrability at all speeds.

## Drive

- **ECO mode** encourages natural, smooth operation with optimal energy efficiency; ideal for long shifts, training, new and part-time users.
- **PRO mode** maximises performance parameters, giving full control to more experienced operators in intensive situations.
- **Custom settings** can be fine-tuned by a service engineer to perfectly match any given application, scenario or need.

## Mast and fork assembly

- **Unparalleled 360° visibility** optimised mast, wheel, dashboard and counterweight design maximise visibility to load, forks, front and rear wheels – giving safe, confident operation in tight spaces.

## Brakes

- **Sealed, wet-disc brakes** are protected from the elements and virtually maintenance-free.
- **Automatic parking brake with hill hold** stops the truck automatically when the accelerator is not engaged, and prevents rolling on ramps – no remembering to use a handle or switch.

## Hydraulics

- **Precision tilt and side shift** easy, fine control makes important and difficult movements faster, and safer.

## Electrical and control systems

- **Straightforward component layout** carefully planned for fast, easy access, reducing downtime and cutting routine servicing bills.
- **Sealed connectors** reduce the need for maintenance and repair.

## Options include

- **Automatic travel and tilt speed reduction**
- **Ergonomic operator presence pedal**
- **Automatic tilt centering**
- **Integrated clamp release**
- **Pallet truck battery change**
- **Sideways battery change**
- **Windshield with wiper and washer**
- **Panel cabin**
- **High-visibility overhead guard**

# when reliability is everything...

Like any product bearing the Mitsubishi name, our materials handling equipment benefits from the huge resources and cutting-edge technology of one of the world's largest corporations. So when we promise you **quality, reliability** and **value for money**, you know it's a guarantee we have the power to deliver.

Every model in our comprehensive, award-winning range of forklift trucks and warehouse equipment is built to a high specification and is designed to keep on working for you... day after day... year after year... whatever the job... whatever the conditions.

To ensure your truck stays in constant productive action, we have a network of local dealers – hand-picked for their commitment to customer care... and backed up by the Mitsubishi Forklift Trucks organisation. No matter where you are, we have a dealer close by – ready and willing to meet your needs.

That friendly local service covers everything from identifying the perfect model and configuration for your application to providing competitive, flexible finance and maintenance packages, unbeatable warranties, long and short term hire, and highly responsive field service and repairs... as well as the industry's quickest and most reliable parts supply.

Only Mitsubishi can give you this combination of global engineering excellence and outstanding local support... only Mitsubishi offers you such a quality product at such an affordable price... and only Mitsubishi places reliability as high as you do in its priorities. Contact your local dealer now and see what Mitsubishi can do for you.

You can find your nearest dealer at [www.mitforklift.com](http://www.mitforklift.com)



CESM1591 (04/19)  
© 2019 MCFE  
Printed in The Netherlands

[mitforklift@mcfe.nl](mailto:mitforklift@mcfe.nl) [www.mitforklift.com](http://www.mitforklift.com)

NOTE: Performance specifications may vary depending on standard manufacturing tolerances, vehicle condition, types of tyres, floor or surface conditions, applications or operating environment. Trucks may be shown with non-standard options. Specific performance requirements and locally available configurations should be discussed with your distributor of Mitsubishi forklift trucks. Mitsubishi follows a policy of continual product improvement. For this reason, some materials, options and specifications could change without notice.