

Medium Capacity Telehandlers

TF35.7-140

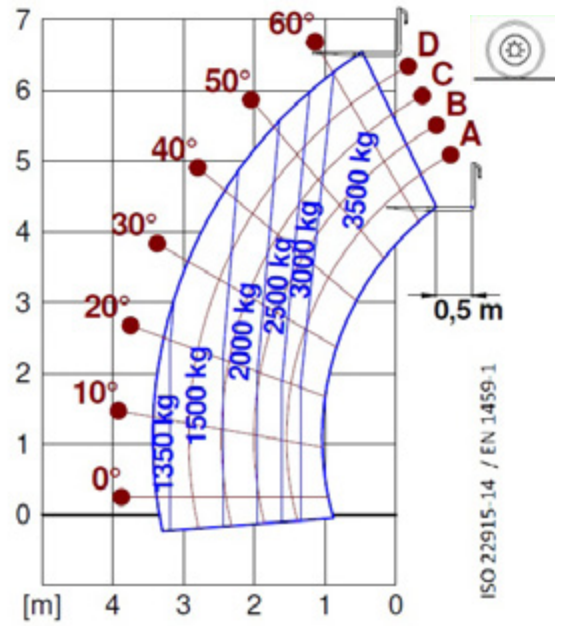




PERFORMANCE AND FEATURES	TF35.7-140	TF35.7-140CS	
Performance			
Total unladen weight (kg)	6800	6950	
Maximum capacity (kg)	3500	3500	
Lifting height (m)	6,6	6,6	
Maximum reach (m)	3,5	3,5	
Maximum operating height (m)	6,5	6,5	
Maximum operating reach (m)	1,3	1,3	
Capacity at maximum height (kg)	3500	3500	
Capacity at maximum reach (kg)	1350	1350	
Lateral boom movement (mm)	-	-	
Tilting correction (%)	-	-	
Boom sections	2	2	
PowerTrain			
Turbo motor	DEUTZ TCD3.6	DEUTZ TCD3.6	
Displacement/cylinders	3600/4	3600/4	
Engine Power (kW/HP)	100/136	100/136	
Anti-pollution technology	STAGE V, SCR+DPF+DOC	STAGE V, SCR+DPF+DOC	
Reversible fan	●	●	
Maximum speed (km/h)	40	40	
Fuel tank (l)	85	85	
AdBlue tank (l)	12	12	
Hydrostatic transmission	● - 2V	● - 2V	
EPD	Plus	Plus	
Auto-revving joystick	●	●	
Axles - Reducers	Axial, Epicyclic	Axial, Epicyclic	
Machine brakes	Dry disc	Dry disc	
Automatic parking brake	●	●	
Hydraulic			
Hydraulic pump	LS+FS	LS+FS	
Flow rate/pressure (l/min - bar)	125-210	125-210	
Hydraulic tank	85	85	
Hydraulic outlet at the top of the boom	●	●	
Rear hydraulic outlets	○	○	
Cab			
Cab configuration	ECO	ECO	
ASCS Adaptive Stability Control System	Light	Light	
FOPS LIV II cab	●	●	
ROPS cab	●	●	
Cab commands	Electronic joystick	Electronic joystick	
Tilting Cab	-	-	
Reverse shuttle	Dual reverse	Dual reverse	
Configuration			
Cab suspension	-	●	
Boom suspension	○	○	
Suspension on axles	-	-	
Work headlights on cab	●	●	
Sun blind	○	○	
Tac-lock	●	●	
Provision for a platform	○	○	
Two floating forks	●	●	
Inching-Control	●	●	
Four-wheel drive	●	●	
Four-wheel steering	●	●	
Three steering modes	●	●	
Standard tyres	400/70-24"	400/70-24"	
Optional tyres	460/70 24"	460/70 24"	
Stabilisers	-	-	
Turret rotation	-	-	
Type approval as an agricultural tractor	○	○	
Approval with PNEUMATIC braking	○	○	
Approval with HYDRAULIC braking	○	○	
PTO	-	-	
3-point linkage	-	-	

- Not Available
● Standard
○ Optional

Load charts

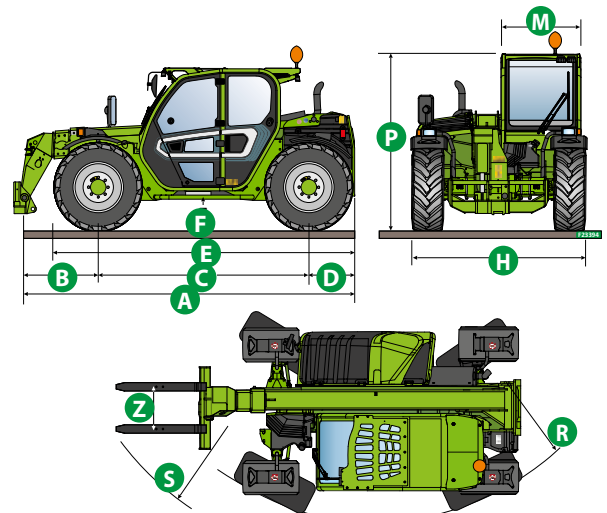


TF35.7

Dimensions



	TF35.7		
A (mm)	4310		
B (mm)	970		
C (mm)	2740		
D (mm)	600		
E (mm)	3910		
F (mm)	380		
H (mm)	2250		
M (mm)	1010		
P (mm)	2240		
R (mm)	4095		
S (mm)	4740		
Z (mm)	850		



Your Merlo dealer



MERLO S.P.A.

Via Nazionale, 9

12010 S. Defendente di Cervasca, (Cuneo) Italia

Tel. +39 0171 614111

Fax +39 0171 684101

info@merlo.com

www.merlo.com

